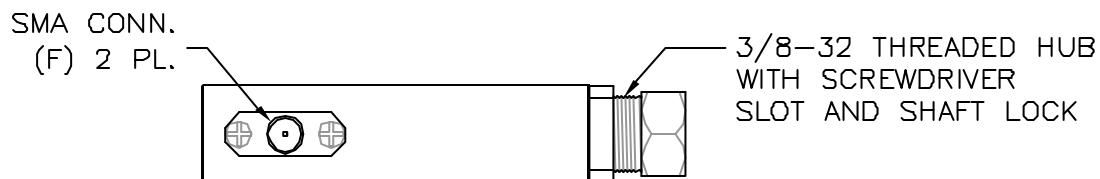
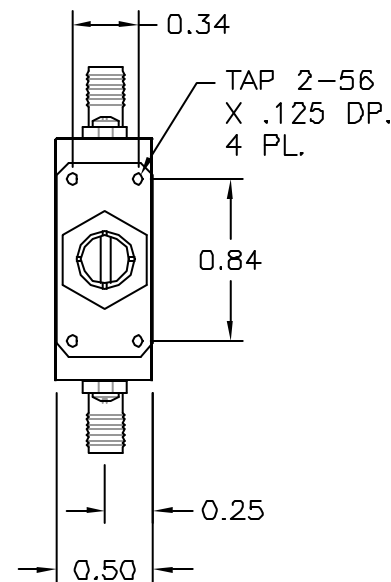
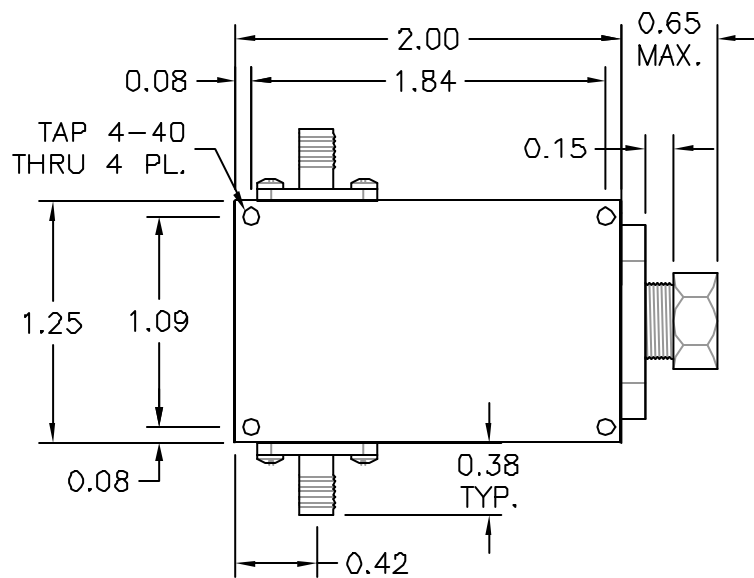


QUANTITY	MODEL NUMBER	NEXT ASSEMBLY	REVISIONS				
			ZONE	REV	DESCRIPTION	DATE	APPROVED
-	AV/AF07X-XX	-		A	INITIAL RELEASE	4/4/01	



THIRD ANGLE PROJECTION =

DRAWN
R. LYNCH
DATE
4/4/01

ADVANCED TECHNICAL MATERIALS, INC.
49 RIDER AVENUE, PATCHOGUE N.Y. 11772
TEL: (631) 289-0363 FAX: (631) 289-0358

UNLESS OTHERWISE SPECIFIED
DIMENSIONS ARE IN INCHES
TOLERANCES ARE:
FRACTIONS DECIMALS ANGLES
±1/64 ±.01 ±1/2°
±.005

PROPRIETARY NOTICE
The information contained in this drawing is
proprietary and shall not be used or disclosed
without the prior written consent of ATM, Inc.

CHECKED

APPROVED

OUTLINE, AV/AF07
ATTENUATOR



SIZE A	FSCM NO. OR8N4	DWG NO. 2787W	REV A
-----------	-------------------	------------------	----------

SCALE: 1 To 1 DO NOT SCALE DRAWING SHEET 1 OF 3